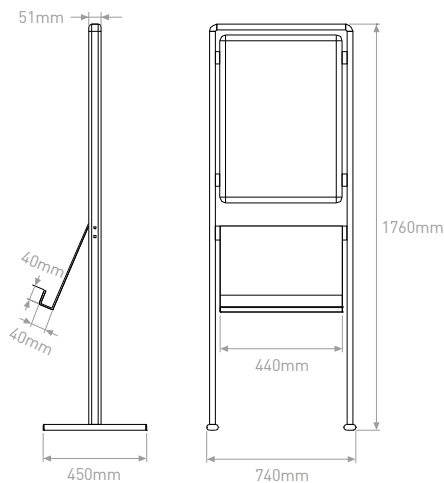




Double-sided Info Board with Acrylic Brochure Shelves



## Info Board

- A1 poster display, single or double-sided
- Front-opening aluminium snapframes for quick and easy poster change (silver anodised finish)
- Anti-glare PET poster covers
- Optional acrylic brochure shelves, available separately (see below)

Illuminated Info Boards also available made to order in three standard sizes



In stock



10 minutes to assemble



Recyclable

Aluminium snapframes, aluminium stand and PET poster covers



Optional wheels (made to order)



Anti-glare poster covers

Poster Size	O/A Dimensions (w x h x d mm)	Type	Illumination	Weight (kg)	Availability	Order Code
A1	740 x 1760 x 450	Single-sided	Without	8.8	In stock	INF0SGA1
			With	17.5	Made to order	UIB305TNA1
		Double-sided	Without	11.1	In stock	INF0DSA1
			With	17.9	Made to order	UIB305CNA1
500 x 700mm	646 x 1760 x 450	Single-sided	With	15	Made to order	UIB305TNB2
		Double-sided	With	15.4		UIB305CNB2
700 x 1000mm	853 x 1760 x 450	Single-sided	With	20.5	Made to order	UIB305TNB1
		Double-sided	With	20.9		UIB305CNB1



## Acrylic Brochure Shelves for Info Board

- Made with crystal clear 4mm acrylic
- Single or double-sided, for 2 or 4 x A4 brochures respectively



In stock



Recyclable  
Acrylic shelves

Shelf Type	Capacity	Dimensions (w x d mm)	Weight (kg)	Order Code
Single-sided	2 x A4	440 x 40	1	INF0SHLFSG
Double-sided	4 x A4	440 x 40	2	INF0SHLFDS